

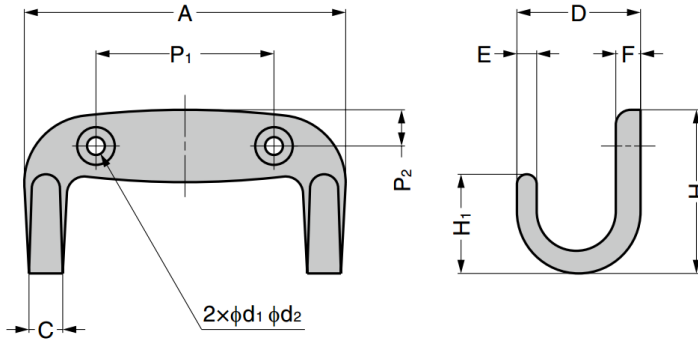
GEW Stainless Steel Hook

Material

- Stainless steel 304, polished

Parts Included

- GEW-65E:** Raised countersunk head wood screw 3.1×16 (SUS)
- GEW-80E:** Raised countersunk head wood screw 3.8×20 (SUS)



Part No.	A	P ₁	C	D	E	F	P ₂	H	H ₁	d ₁	d ₂	Load Capacity	
GEW-65E	65	36	6.5	25	4	5	7.3	33	20	3.6	7.6	200 N	20 kg
GEW-80E	80	44	8	32	5	6	9	42	25	4.2	8.8		

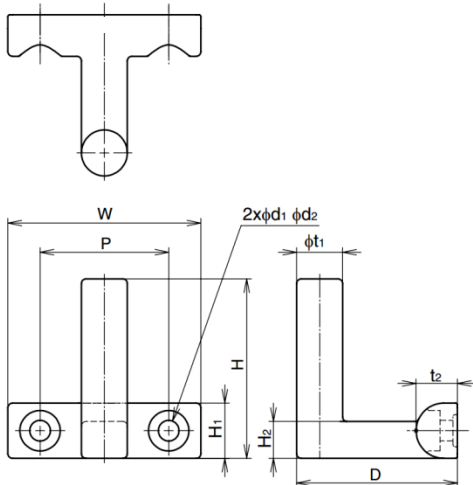
GHK-RH Stainless Steel Hook

Features

- Flat hook bottom

Material

- Stainless steel 304, polished



Parts Included

- GHK-RH40 :** Binding head tapping screw 4×20 (SUS)
- GHK-RH60 :** Binding head tapping screw 5×30 (SUS)

Part No.	D	d ₁	d ₂	H	H ₁	H ₂	P	t ₁	t ₂	W	Load Capacity	
GHK-RH40	35	4.5	8.8	39	12	8	28	10	9	42	196 N	20 kg
GHK-RH60	51.5	5.5	10.8	58	16	11	40	15	12	63	245 N	25 kg